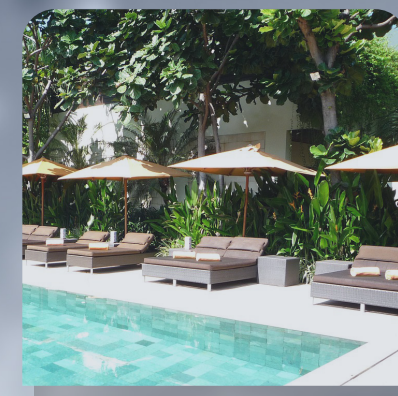


SOK | BEYOND SAFETY

SOK | BEYOND SAFETY

MA5 SERIES

PRODUCT CATALOG



GUANGDONG JINLI ELECTRICAL APPLIANCE CO.,LTD.

ADD:
NO.36 Yanjiang South Road,Dawan,Leliu,Shunde,Foshan Guangdong,China,528322

TEL:
86-757-25333127

FAX:
86-757-25333206

URL:
www.jinli.com www.sokwitch.com

E-MAIL:
export01@jinli.com



IP55 FLUSH & SURFACE MOUNTING SERIES

ONE CORE WITH TWO FACES
PROFESSIONAL GUARDER OF YOUR SAFETY



GUARDER OF YOUR SAFETY

IN ANY ENVIRONMENT

INDUSTRIAL GRADE PROTECTION



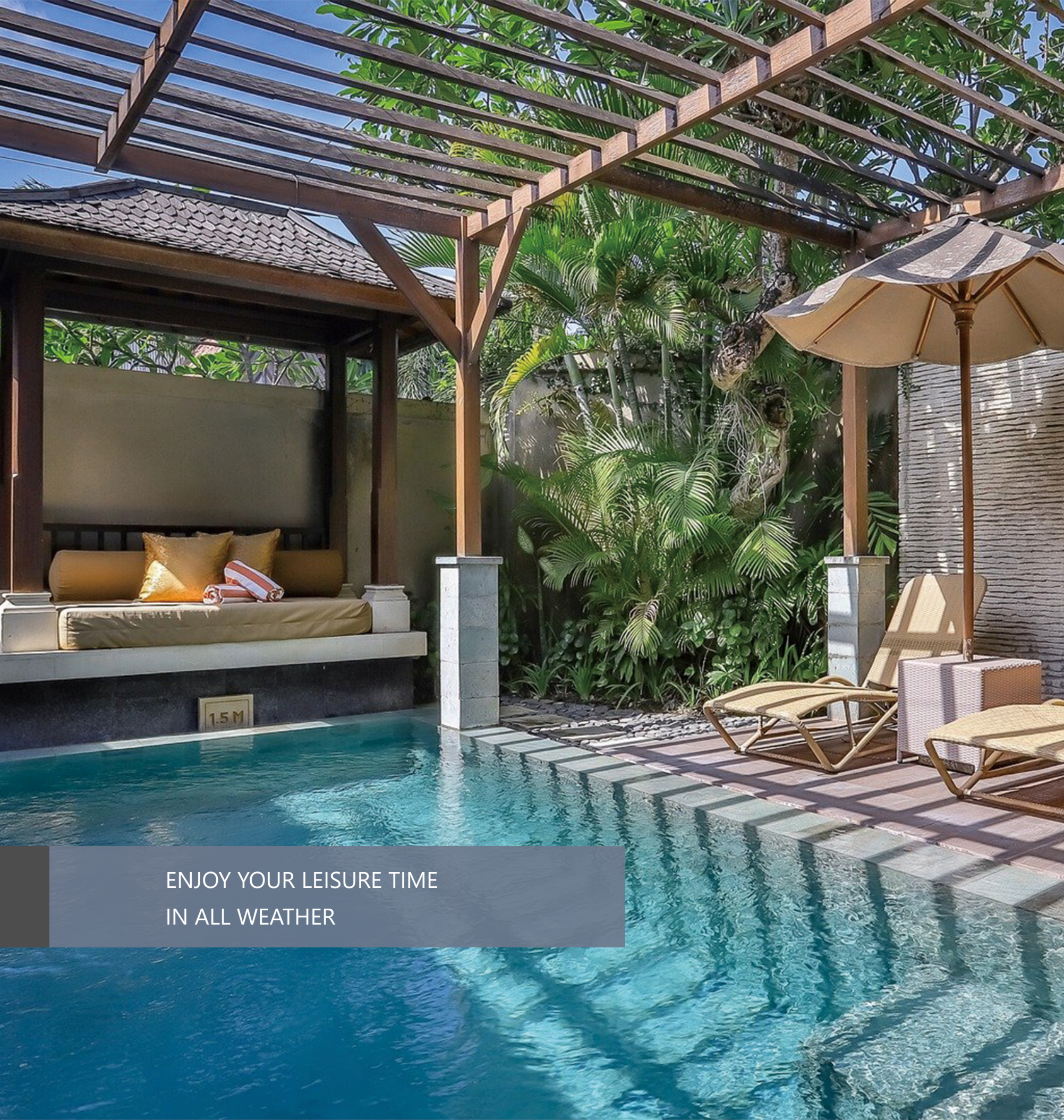
STEAMLINED DESIGN

MERGE ELEGANCE WITH

YOUR HOME DECORATION



SHOW YOUR ELEGANCE IN EVERY CORNER



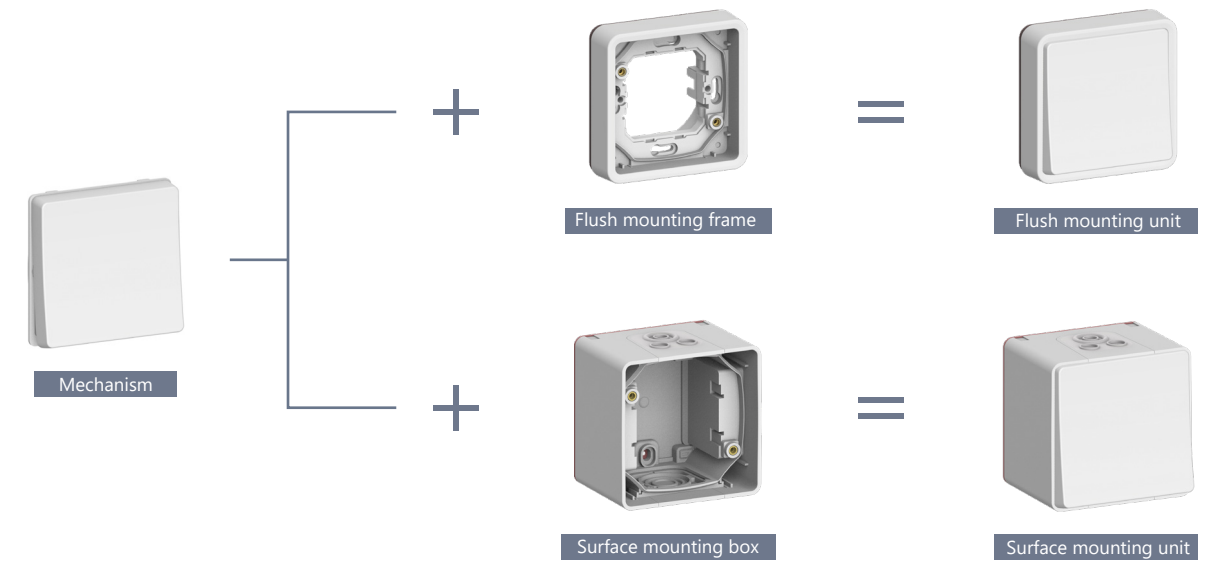
ENJOY YOUR LEISURE TIME
IN ALL WEATHER





ONE CORE WITH TWO FACES EASY SKU MANAGEMENT

mechanism universal for both flush mounting and surface mounting



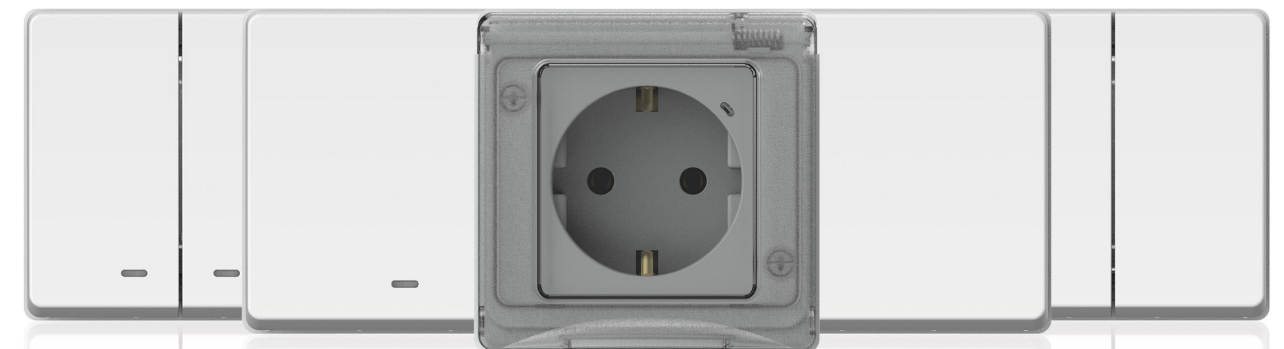
IP55
approved by dekra



VDI
assortment expandable
by universal frame



MATT FINISHING
wear-resistant
uv-resistant





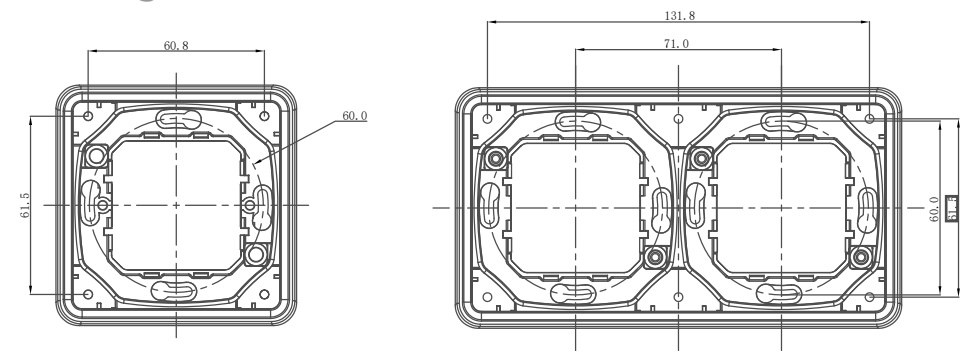
QUALITY IS GUARANTEED

PROFESSIONAL PROTECTION GARDE

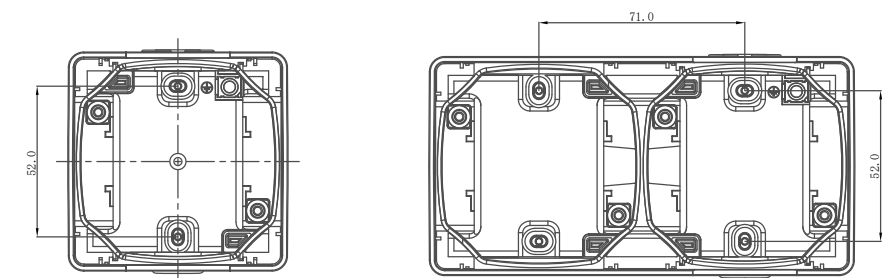
APPROVED BY 

● Mounting distance

Flush mounting

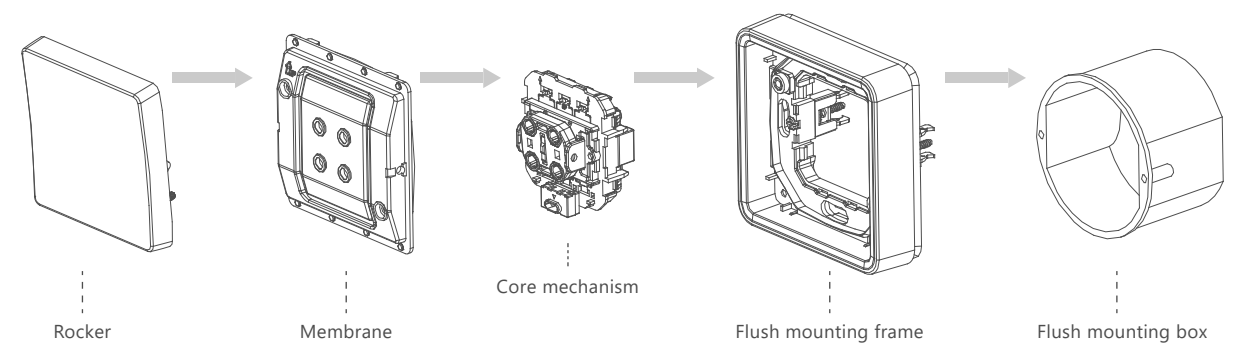


Surface mounting

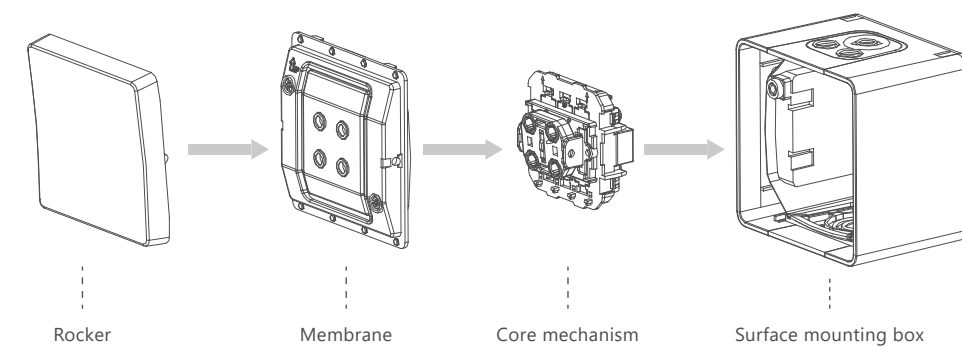


● Installation

1. Flush mounting

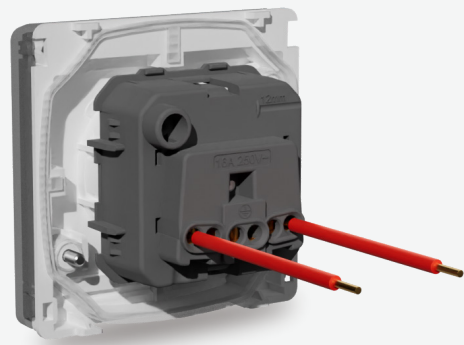


2. Surface mounting

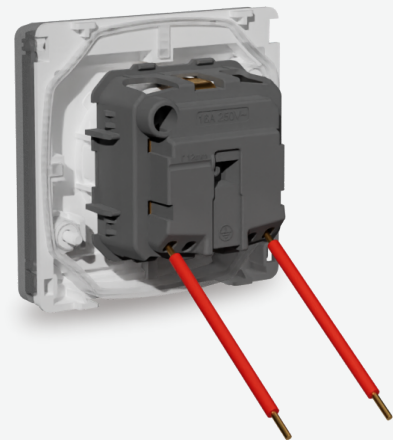


MEET ANY WIRING PRACTICE

01 screw terminal



02 screwless terminal







SCREWLESS AND SCREW
TERMINALS FOR OPTION

STANDARD SWITCH 10AX 250V~					
SWITCH	Terminal	1 Way Switch		2 Way Switch	
	Screwless	MA5.1110.K01 ○	MA5.1110.K06 ●	MA5.1120.K01 ○	MA5.1120.K06 ●
	Screw	MA5.1110.Y01 ○	MA5.1110.Y06 ●	MA5.1120.Y01 ○	MA5.1120.Y06 ●
	Screwless	MA5.1210.K01 ○	MA5.1210.K06 ●	MA5.1220.K01 ○	MA5.1220.K06 ●
	Screw	MA5.1210.Y01 ○	MA5.1210.Y06 ●	MA5.1220.Y01 ○	MA5.1220.Y06 ●
		with Neon indicator		with Neon indicator	
	Screwless	MA5.1111.K01 ○	MA5.1111.K06 ●	MA5.1121.K01 ○	MA5.1121.K06 ●
	Screw	MA5.1111.Y01 ○	MA5.1111.Y06 ●	MA5.1121.Y01 ○	MA5.1121.Y06 ●
		with Neon indicator		with Neon indicator	
	Screwless	MA5.1211.K01 ○	MA5.1211.K06 ●	MA5.1221.K01 ○	MA5.1221.K06 ●
	Screw	MA5.1211.Y01 ○	MA5.1211.Y06 ●	MA5.1221.Y01 ○	MA5.1221.Y06 ●

SWITCH

Push Button 10A 250V~

Terminal						
						
Screwless	MA5.1130.K01 ○	MA5.1130.K06 ●	1 Way	MA5.1230.K01 ○	MA5.1230.K06 ●	1 Way
	MA5.1140.K01 ○	MA5.1140.K06 ●	2 Way	MA5.1240.K01 ○	MA5.1240.K06 ●	2 Way
Screw	MA5.1130.Y01 ○	MA5.1130.Y06 ●	1 Way	MA5.1230.Y01 ○	MA5.1230.Y06 ●	1 Way
	MA5.1140.Y01 ○	MA5.1140.Y06 ●	2 Way	MA5.1240.Y01 ○	MA5.1240.Y06 ●	2 Way
						
Screwless	MA5.1131.K01 ○	MA5.1131.K06 ●	1 Way	MA5.1231.K01 ○	MA5.1231.K06 ●	1 Way
	MA5.1141.K01 ○	MA5.1141.K06 ●	2 Way	MA5.1241.K01 ○	MA5.1241.K06 ●	2 Way
Screw	MA5.1131.Y01 ○	MA5.1131.Y06 ●	1 Way	MA5.1231.Y01 ○	MA5.1231.Y06 ●	1 Way
	MA5.1141.Y01 ○	MA5.1141.Y06 ●	2 Way	MA5.1241.Y01 ○	MA5.1241.Y06 ●	2 Way

Available Symbol



Bell 2



Light 1



OTHER SWITCH 10A 250V~

Terminal	Blind Control	
		
Screwless	MA5.1260.K01 ○	MA5.1260.K06 ●
Screw	MA5.1260.Y01 ○	MA5.1260.Y06 ●

SCHUKO SOCKET 16A 250V~

SOCKET

Terminal	Single Schuko Socket 2P+E					
						
Screwless	MA5.2110.K01 ○	MA5.2110.K06 ●	w.Shutter	MA5.2111.K01 ○	MA5.2111.K06 ●	w.Shutter
	MA5.2100.K01 ○	MA5.2100.K06 ●	wo.Shutter	MA5.2101.K01 ○	MA5.2101.K06 ●	wo.Shutter
Screw	MA5.2110.Y01 ○	MA5.2110.Y06 ●	w.Shutter	MA5.2111.Y01 ○	MA5.2111.Y06 ●	w.Shutter
	MA5.2100.Y01 ○	MA5.2100.Y06 ●	wo.Shutter	MA5.2101.Y01 ○	MA5.2101.Y06 ●	wo.Shutter

FLUSH MOUNTING

FRAME & BOX

1 Gang Frame		
		
	MA5.51F0.X01 ○	MA5.51F0.X06 ●
	MA5.51F0.C01 ○	MA5.51F0.C06 ●
	MA5.51F0.S01 ○	MA5.51F0.S06 ●
2 Gang Frame (Horizontal)		
		
	MA5.52F1.X01 ○	MA5.52F1.X06 ●
	MA5.52F1.S01 ○	MA5.52F1.S06 ●
2 Gang Frame (Vertical)		
		
	MA5.52F2.X01 ○	MA5.52F2.X06 ●
	MA5.52F2.S01 ○	MA5.52F2.S06 ●

FRAME & BOX

SURFACE MOUNTING

1 Gang Mounting Box



MA5.51S0.X01 ○

MA5.51S0.X06 ●

2 Gang Mounting Box (Horizontal)



MA5.52S1.X01 ○

MA5.52S1.X06 ●

2 Gang Mounting Box (Vertical)



MA5.52S2.X01 ○

MA5.52S2.X06 ●

OTHERS

Universal Cover Frame



MA5.59VX.XRG ○ Adaptable with all mechanism from W64P-Flexico series Max.2.Mod.

BACK COVER



MA5.59WX.XRG ○ For flush mounting

INDICATOR



MA5.59L1.XXX
Neon indicator for switch

MA5.59L2.XXX
LED indicator for socket

ACCESSORY



MA5.59VX.XRG

universal frame to welcome supplement from other ready range

Expand product assortment with easy stock management

VDI Socket



LAN Socket RJ45 CAT5E

○ W64P.32.0051.01

● W64P.32.0051.06



Telephone Socket RJ11 CAT3

○ W64P.31.0011.01

● W64P.31.0011.06



HDMI Socket

○ W64P.35.0011.01

● W64P.35.0011.06



SAT Socket

○ W64P.33.0051.01

● W64P.33.0051.06



TV Socket (F type)

○ W64P.33.0011.01

● W64P.33.0011.06

USB Charger



USB 20W Fast Charger Type A+C

○ W64P.42.3001.01

● W64P.42.3001.06



USB 5V 2.4A Charger Type A

○ W64P.42.1001.01

● W64P.42.1001.06



Triac Dimmer 500W

○ W64P.41.2501.01

● W64P.41.2501.06



Trailing Edge Dimmer 250W

○ W64P.41.1251.01

● W64P.41.1251.06



1-10V Dimmer

○ W64P.41.3001.01

● W64P.41.3001.06

Light dimmer

For more items as supplement, please refer to the catalogue of W64P-Flexico series.